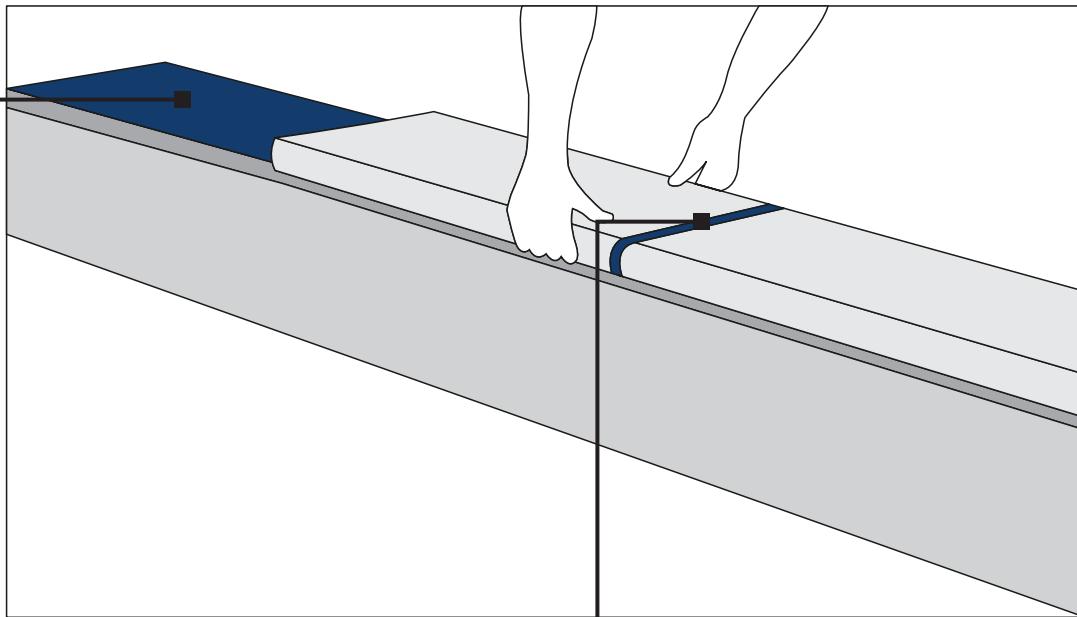


# INSTALLATION GUIDE FOR COPING STONES

The coping stones are placed loose around the pool, this to give an overview of which adjustments/cutting work there may be prior to installation. This workflow also ensures that you will detect any hidden defects before the start of an installation.

Follow the instructions on the accessories for correct installation.



## 1. Adhesive

### PROFIX (NATURA, RUSTICA AND OLYMPIA)

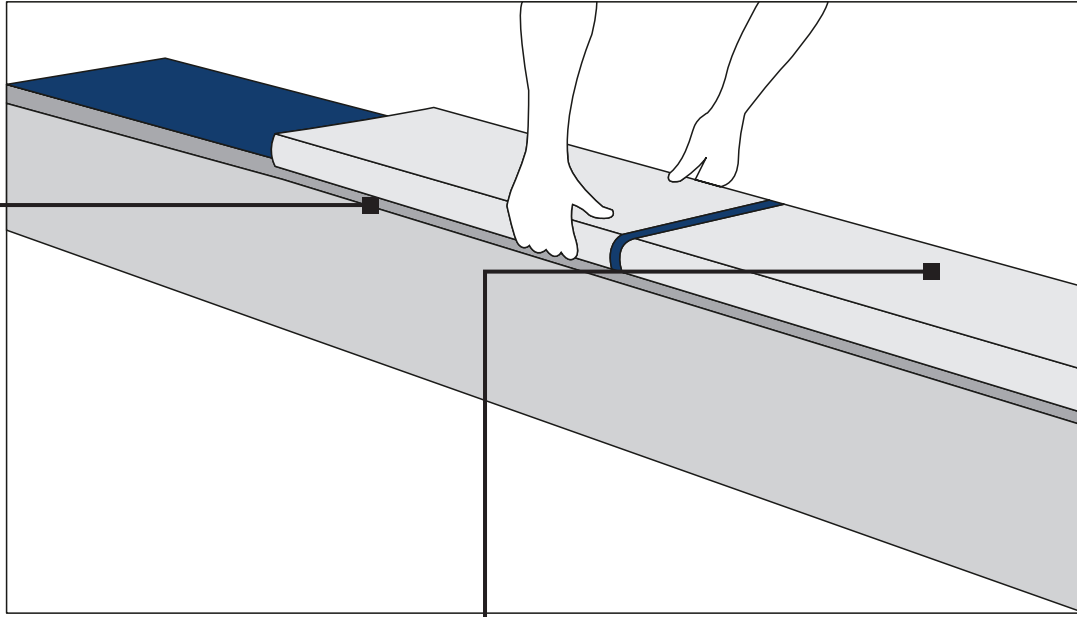
The surface should be dimensionally stable, sound, and clean. Free from laitance, grease, and dust. There should be no blooms or crack formations. Apply Alfix Profix extra to the surface with a notched trowel, using the straight edge to spread out adhesive and subsequently the notched edge to produce a ribbed bed. Fix tiles within 20-30 minutes by pressing them firmly into position in the wet adhesive with a slight twisting action. When fixing mosaics, a firm tap is required. Ensure complete adhesive coverage! Apply adhesive to both tiles and surface to ensure solid bedding leaving no voids (buttering/floating method). Follow the instructions on the accessory for correct mixing ratio

## 2. Grouting

### CERAFILL 20 (NATURA, RUSTICA) CERAFILL 10 (OLYMPIA)

We recommend that the joint is within 5mm-10mm. Grouting can normally be carried out 48 hours after completion of fixing. Working time after mixing: 3-4 hours. Apply Alfix Cerafill to the surface and work it well into the joints ensuring that they are completely filled. Follow the instructions for correct mixing ratio. Remove excess grout while working diagonally over the area that is to be grouted. Proceed by wiping off with dry pad followed by wiping thoroughly with a damp sponge until the tiles are completely clean. Remaining grout film on the surface can be removed within 1-2 days with an acid based liquid. NB! do **NOT** use acid based products on Basalt.

# INSTALLATION GUIDE FOR COPING STONES



## 3. Silicone sealant

### **M-SILIKONE (NATURA, RUSTICA, OLYMPIA)**

- For sealing between the pool edge and coping stones. We recommend a joint between the coping stone and pool edge. M-Silicone can be applied with a maximum of a 15mm joint. Use masking tape to protect the tiles. Fill joints completely using an appropriate gun. Finish off within 15 minutes by smoothing using a damp tool, or a jointnail. Remove any masking tape immediately after smoothing

## 4. Impregnation

### **LITHOMEX (NATURA)**

The impregnation is applied with a brush, lambskin roller, mop or cloth. The product is to be applied directly from the package and must not be diluted. The surface to be treated must be completely dry, clean and spotless. On highly absorbent material than we recommend to repeat the procedure after 5 minutes

### **SILOXAN (RUSTICA)**

Apply Siloxan WB with roller, brush or by spraying. The product can be used directly from the packaging, and must not be diluted. The surfaces should be clean, dry and free from oil, grease, dust and other contaminants (moss and algae). A thorough cleaning of the surface is essential to achieve good result. All surfaces should be treated with two coats of Siloxan WB, applied "wet in wet", with 20-40 minutes interval. Apply until the surface is thoroughly saturated. The second coat should be applied when Siloxan WB is absorbed, and when the surface is no longer shiny. To ensure full benefit of a siloxane-impregnation, the surface must not be exposed to rain the first 3-4 hours after application

### **PROTEC HYDRO (OLYMPIA)**

Apply with a roller or spray on a completely dry surface. The product can be used directly from the packaging, and must not be diluted. Do not apply in wet weather. The surfaces should be clean, dry and free from oil, grease, dust and other contaminants (moss and algae) Maximum and minimum, support and air temperature limits during application: +5°C to +35°C



# ACCESSORIES FOR COPING & PAVING

Scandi-Roc sells a number of different accessories for our products. These accessories are part of our program so that the customers should have no doubt that they are using the correct products for laying down the stones etc. The products include accessories such as joints, colour powder for dyeing the joint, adhesive, joint filling material and impregnating agent.

On request, we can supply all products together with the stones, so that they will arrive as a complete package.

NATURA  RUSTICA  OLYMPIA



## CERAFILL 20

Cement based joint for grouting between the stones. Available dyed to match all different colors. 5 kg. bags. Recommended for Rustica and Natura series.



## CERAFILL 10

NATURA  RUSTICA  OLYMPIA

Cement based joint for grouting between the stones. Available in White and Beige color. Delivered in 5 kg. bags. Recommended for the serie OLYMPIA.



## PROFIX

NATURA  RUSTICA  OLYMPIA

Special tile adhesive for installing the natural coping stones and paving stones. 20 kg. bags. Recommended for all series.



## M-SILICONE

NATURA  RUSTICA  OLYMPIA

Silicone sealant for sealing between the pool edge and coping stones. Comes in white, gray & black. Recommended for all series.



## SILOXAN WB

NATURA  RUSTICA  OLYMPIA

Impregnating fluid for concrete. A colorless treatment that makes concrete stones more resistant to exogenous discolorations. 3-5 per. m2 liters. Comes in 5L cans. Recommended for Series RUSTICA.



## LITHOMEX NATURSTENSIMPRÆGNERING

NATURA  RUSTICA  OLYMPIA

Impregnating fluid for natural stone. A colorless treatment that makes natural stones more resistant to exogenous discolorations. 20 m2 per. liters. Comes in 1l bottles. Recommended for Natura series.



## PROTEC HYDRO

NATURA  RUSTICA  OLYMPIA

Impregnating fluid for wet cast concrete. A colorless treatment that makes concrete stones more resistant to exogenous discolorations. 10 m2 pr. liters. Comes in 1L cans. Recommended for Series OLYMPIA.

